

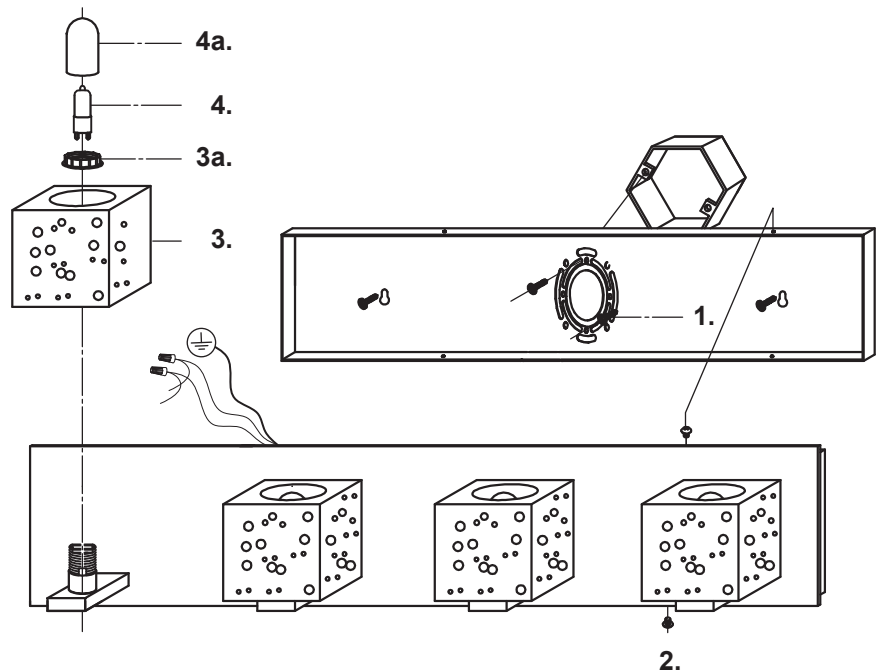
Four lamp vanity

1. Remove the fixture from its original packaging. Remove the canopy mounting plate from within the canopy and attach it to the electrical junction box, and wall, using the screws provided in the hardware package.
2. Attach the canopy to the mounting plate, which is attached to the electrical junction box on the wall. First attach all wiring with the provided marrets (white to white "N", black to black "L", ground to ground "G"). Push the canopy onto the mounting plate and align the two holes (two above & two below) on the canopy to the holes on the mounting plate. Once aligned, screw in the four screws provided to secure the fixture to the wall .
3. Place the glass light covers onto the fixture, and (3a) install the locking nuts to secure the glass covers to the canopy (do not over tighten).
4. You can now install the G-9 light bulbs of the correct wattage, and (4a) the light bulb covers (do not over tighten).
5. You have now completed the installation of your fixture, please enjoy.

START FROM HERE

- Make sure power is completely off at the fuse box.
- Have your fixture installed by a qualified licensed electrician
- Prepare everything in clear area.
- Wear gloves at all times during this installation.
- Read instructions carefully before you start assembly.
- Keep this instruction sheet for future reference.

Technical Support: 1-877-452-6858



KUZCO
LIGHTING

19054 28th Avenue, Surrey, BC, Canada V3Z 6M3
T: 604-538-7162 TF: 1-855-85-KUZCO F: 604-538-7196
W: kuzcolighting.com
20140630